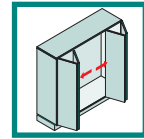


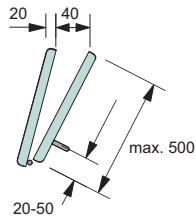
Wingline 77

Folding door fitting for: 1 x folding door with 2 x panels



Function / Assembly

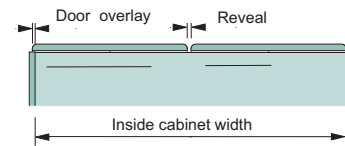
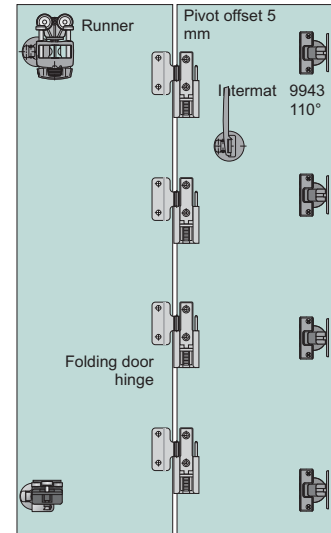
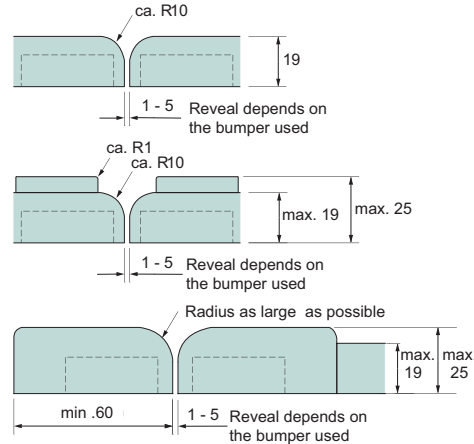
2-panel door set



2-panel folding door

Panel width max. 1000 mm
 Door weight/panel max. 20 kg
 Door panel height max. 2200 mm

Recommended door panel contours for reducing risk of crushing

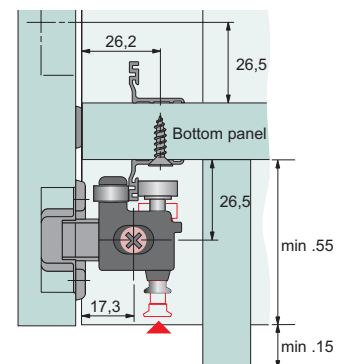
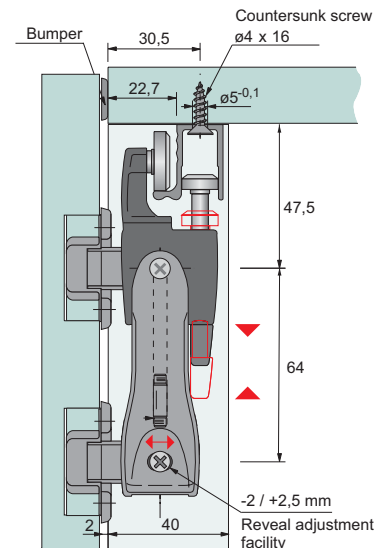
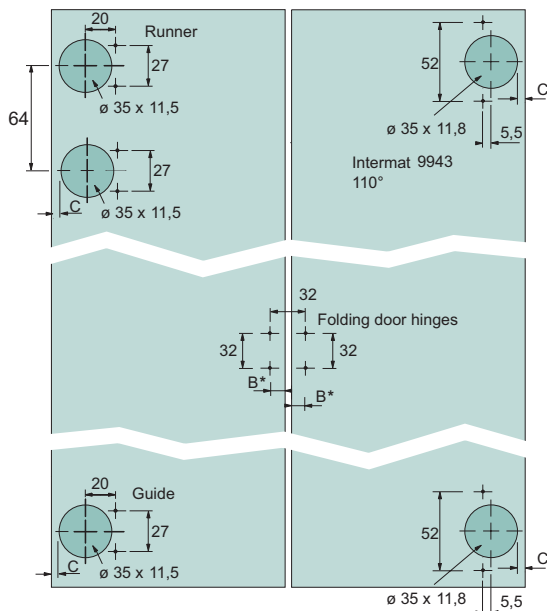


Calculation of door width/door panels

Door width = inside cabinet width + (2 x overlay*)
 Door panel width = inside cabinet width - (1 x reveal) + (2 x overlay*) ÷ 2

* Overlay: max. 15 mm, C value 5 mm

Drilling pattern



* B Hole spacing mm	13,5	14	14,5	15	15,5
Reveal mm	5	4	3	2	1